



DATA SHEET

Product: Evo Cab

Product Code: 03-10005

Doc Iss: 01



Note: Computer, Monitor, Keyboard & Mouse Not included

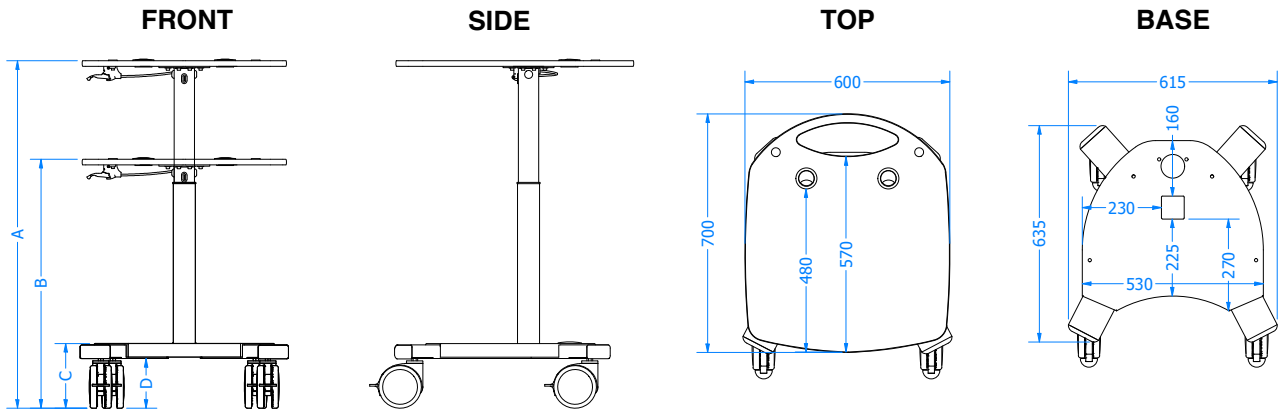


DATA SHEET

Product: Evo Cab

Product Code: 03-10005

Dimensions: Millimetre (mm)



DIMENSION:	A	B	C	D
Single Castor:	1035	795	240	205
Dual Castor:	1020	780	240	190

Core Key Features:

- Height Adjustable
- Lever positioned on the left or right
- Large Trespa top with rear handle 20kg max load (*other load options available*)
- Heavy duty steel base, ergonomic curved front recess
- Cable entry holes on both top and base
- Accessory mounting holes on both top and base
- 4 off braking swivel castors
- High ground clearance
- Material(s): Trespa, Aluminium, Steel, Plastic
- Finish(s): Anodised, Powder Coat Black Grey RAL7021 (*other colours are available*)
- Weight: 61kg

Accessories Key Features

- Fully adjustable monitor arm,
 - Vesa 75 & 100 compliant
 - Post length options 100, 200, 300, 400, 500 and 700mm
 - Easy rotate between portrait and landscape
 - Suggested screen size: 27" (inch)
 - Max load: 12kg
- Keyboard Panel
 - Fully adjustable under worktop keyboard surface
 - Height adjustment of 170mm travel
 - Tilt the keyboard panel +/- 15°
 - Swivel left/right +/- 20°
 - Full length gel wrist rest
 - Max Load 1.5kg
- Mouse Panel
 - Position on the left or right
 - Swivel the panel under the top when not in use
 - Max load 1kg



DATA SHEET

Product: Evo Cab

Product Code: 03-10005

- Storage Tray
 - Storage W500xD205xH68mm
 - Max load: 10kg
- Cabinet
 - Locking door
 - Ventilation on each side
 - Rear cable entry holes
 - Optional 19" rack brackets (8U, Depth:190mm)
 - Optional 120mm fan brackets (fans not supplied)
 - Optional internal shelf
 - Optional Vesa PC bracket
- Rear Cable Tray
 - Internal storage for small electronic devices, PDU, Cables, etc
 - Removable rear cover
 - Flexible cable chain connected to cart top
 - Front cable entry

Cleaning

- Refer to the Evo Carts cleaning guide for detailed information
- Tested active agents
 - ✓ Detergent & Disinfectants
 - ✓ Alcohol Based
 - ✓ Ammonia
 - ✓ Chlorine

Operation and Maintenance

- Secure any loose items before moving.
- Carefully lift castors over large thresholds.
- Periodic general inspection, check fixings are secure, check free movement of any moving part.