



## DATA SHEET

**Product:** Evo Store

**Product Code:** 03-10002

Doc Iss: 01



Note: Computer, Monitor, Keyboard & Mouse Not included

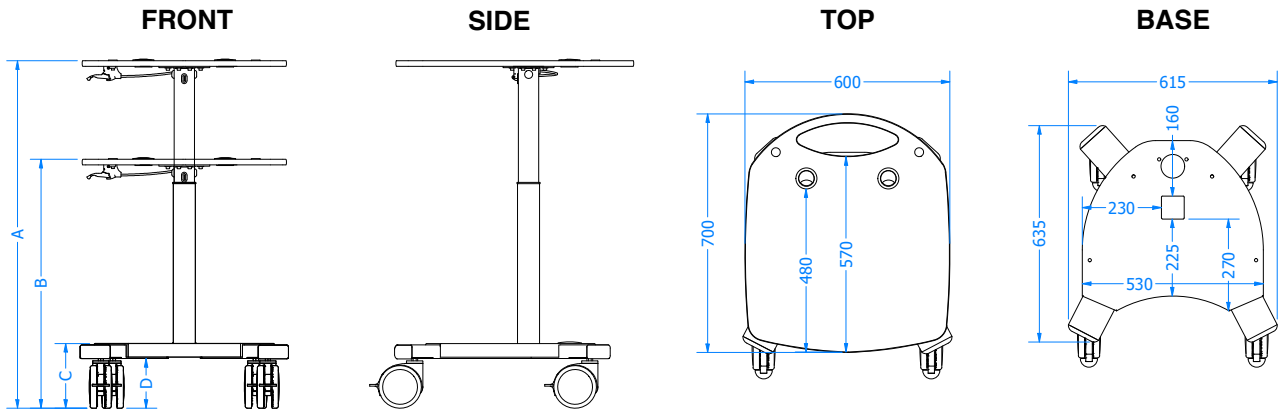


# DATA SHEET

Product: Evo Store

Product Code: 03-10002

## Dimensions: Millimetre (mm)



DIMENSION:	A	B	C	D
Single Castor:	1035	795	240	205
Dual Castor:	1020	780	240	190

### Core Key Features:

- Height Adjustable
- Lever positioned on the left or right
- Large Trespa top with rear handle 20kg max load (*other load options available*)
- Heavy duty steel base, ergonomic curved front recess
- Cable entry holes on both top and base
- Accessory mounting holes on both top and base
- 4 off braking swivel castors
- High ground clearance
- Material(s): Trespa, Aluminium, Steel, Plastic
- Finish(s): Anodised, Powder Coat Black Grey RAL7021 (*other colours are available*)
- Weight: 42kg

### Accessories Key Features

- Fully adjustable monitor arm,
  - Vesa 75 & 100 compliant
  - Post length options 100, 200, 300, 400, 500 and 700mm
  - Easy rotate between portrait and landscape
  - Suggested screen size: 27" (inch)
  - Max load: 12kg
- Lockable draw
  - Storage W539xD254xH76mm
  - 3mm Thick ribbed rubber protective mat
  - Max load: 10kg
- Storage Tray
  - Height adjustable
  - Storage W500xD205xH68mm
  - Max load: 10kg



## DATA SHEET

**Product:** Evo Store

**Product Code:** 03-10002

---

- **Rear Cable Tray**
  - Internal storage for small electronic devices, PDU, Cables, etc
  - Removable rear cover
  - Flexible cable chain connected to cart top
  - Front cable entry
- **PC Holder**
  - Left or Right mountable
  - Easy access to the PC
  - Compatible PC Dimensions
    - Max Width 95mm, Max Depth 250mm, Max Height 295mm, Min Height 275mm

### **Cleaning**

- Refer to the Evo Carts cleaning guide for detailed information
- Tested active agents
  - ✓ Detergent & Disinfectants
  - ✓ Alcohol Based
  - ✓ Ammonia
  - ✓ Chlorine

### **Operation and Maintenance**

- Secure any loose items before moving.
- Carefully lift castors over large thresholds.
- Periodic general inspection, check fixings are secure, check free movement of any moving part.