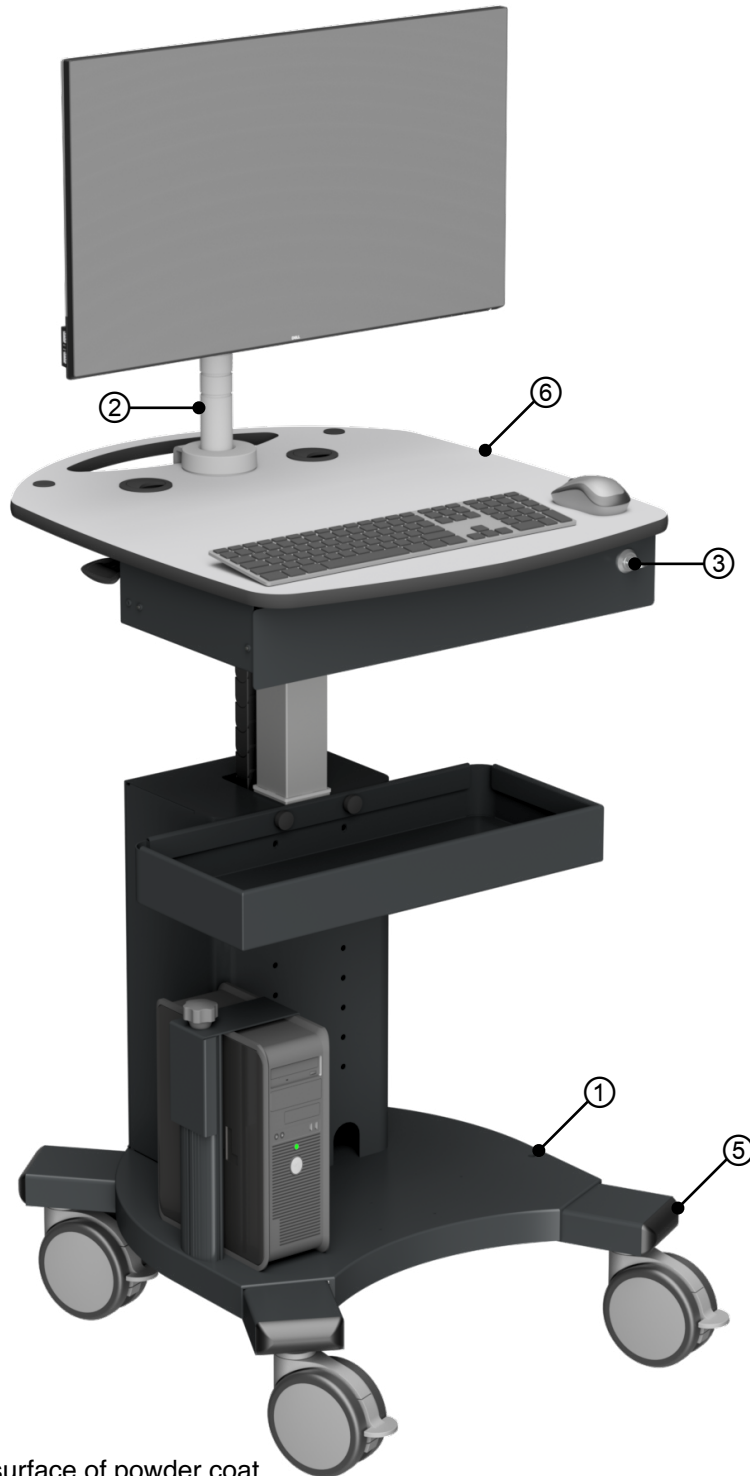




Cleaning Guide

Doc Iss: 02



④ Not shown, typically Fixings

⑦ Not shown, typically on the surface of powder coat

⑧ Not shown, typically on load bearing surfaces



CLEANING GUIDE

Doc Iss: 02

You can use most hospital-grade, diluted, non-abrasive, non-corrosive cleaning solutions on all, plastic and metal surfaces, whether painted, polished or unfinished. The following guide shows test results of specific cleaning agents and the cosmetic impact on the surface finish. This does not include the potential structural changes over time and the effectiveness of cleaning or disinfecting the surfaces.

The following test results do not constitute cleaning procedures, they are to be seen as a guide, this guide does not replace your cleaning and infection control requirements. Always follow the cleaning agent manufacturers direction. Conduct your own testing before use. Please consult your own cleaning and infection control procedures and processes.

To support infection control, please clean, sanitise and sterilise all equipment prior to first use and frequently while in use, in accordance with applicable health organisation and government guidelines. This includes, but is not limited to, the World Health Organisation, the Centres for Disease Control and Infection, the National Institutes of Health and healthcare industry guidelines. Guidelines are always evolving, we recommend checking these resources frequently.

Tips

- Test any cleaning agent on a small hidden area of the cart/part before use on the whole cart/part.
- Wipe all standing liquids and cleaners off the surface of the cart/part and fully dry.
- Abrasive materials such as steel wool will damage the surface.
- Strong solvents will damage the surface.

If you have any questions about this information, please get in touch. Please report any issues in writing.

Contact Information

Telephone: 0118 453 9444

Email: sales@evocarts.co.uk

Definitions

Compatible (✓): Test results showed no cosmetic change to the surface finish on the specified part.

May cause cosmetic change (●): Minimal cosmetic change may occur after prolonged use to the specified part. Other cleaning agents recommended.

Not compatible (✗): Test results showed cosmetic change after use. Cleaning agent not recommended.

Not tested (o): Cleaning agent not yet tested.

Category	Brand	Type	Finish							
			① Powder Coat	② Anodised Aluminium	③ Zinc Plated Steel	④ Stainless Steel	⑤ Plastic	⑥ Trespa	⑦ Branding	⑧ Lables/Stickers
Detergent & Disinfectant	Clinell Universal	Wipes	✓	✓	✓	✓	✓	✓	✓	✓
Alcohol	PDI Sani-Cloth	Wipes	✓	✓	✓	✓	✓	✓	✓	✓
Quaternary Ammonium Compound	Tristel Solo	Wipes	✓	✓	✓	✓	✓	✓	✓	✓
Chlorine	Medipal	Wipes	✓	●	●	✓	✓	✓	✓	●

While every effort is made to ensure the accuracy of our information, Evo Carts accept no liability for the accuracy of the information contained in this document and reserve the right to modify the specifications or data contained herein without prior notification.