



## DATA SHEET

**Product:** Evo Core

**Product Code:** 03-10001

Doc Iss: 01



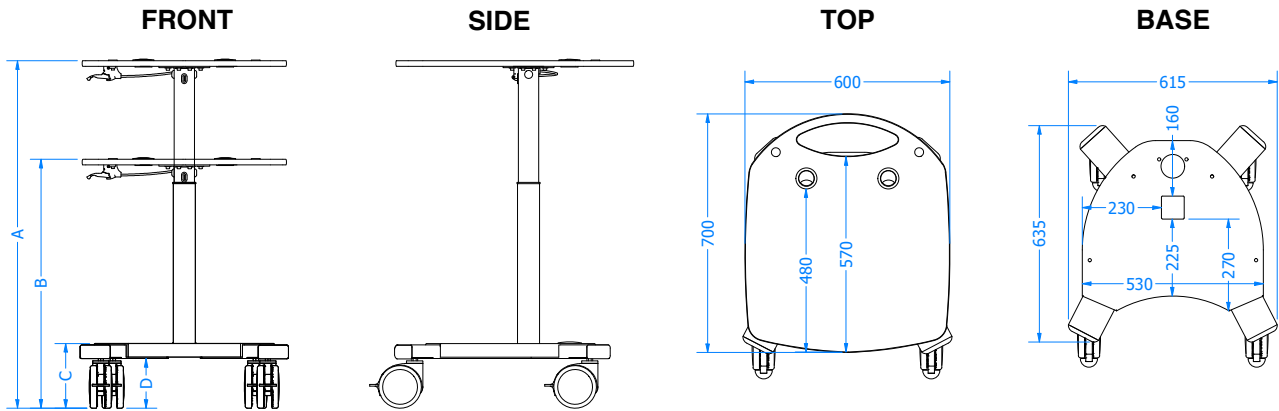


# DATA SHEET

Product: Evo Core

Product Code: 03-10001

## Dimensions: Millimetre (mm)



DIMENSION:	A	B	C	D
Single Castor:	1035	795	240	205
Dual Castor:	1020	780	240	190

## Key Features:

- Height Adjustable
- Lever positioned on the left or right
- Large Trespa top with rear handle 20kg max load (*other load options available*)
- Heavy duty steel base, ergonomic curved front recess
- Cable entry holes on both top and base
- Accessory mounting holes on both top and base
- 4 off braking swivel castors
- High ground clearance
- Material(s): Trespa, Aluminium, Steel, Plastic
- Finish(s): Anodised, Powder Coat Black Grey RAL7021 (*other colours are available*)
- Weight: 28kg

## Cleaning

- Refer to the Evo Carts cleaning guide for detailed information
- Tested active agents
  - ✓ Detergent & Disinfectants
  - ✓ Alcohol Based
  - ✓ Ammonia
  - ✓ Chlorine

## Operation and Maintenance

- Secure any loose items before moving.
- Carefully lift castors over large thresholds.
- Periodic general inspection, check fixings are secure, check free movement of any moving part.